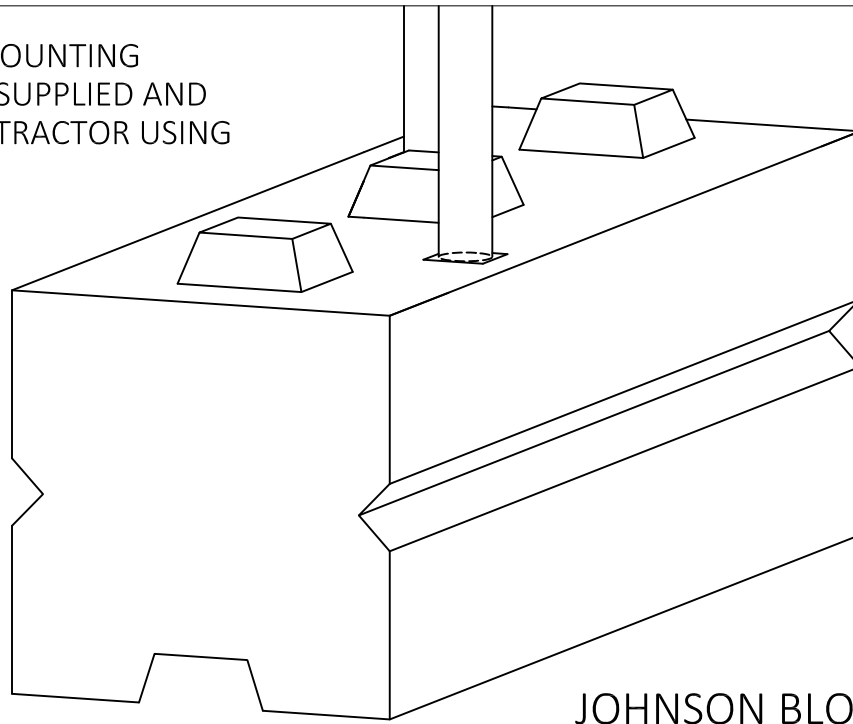
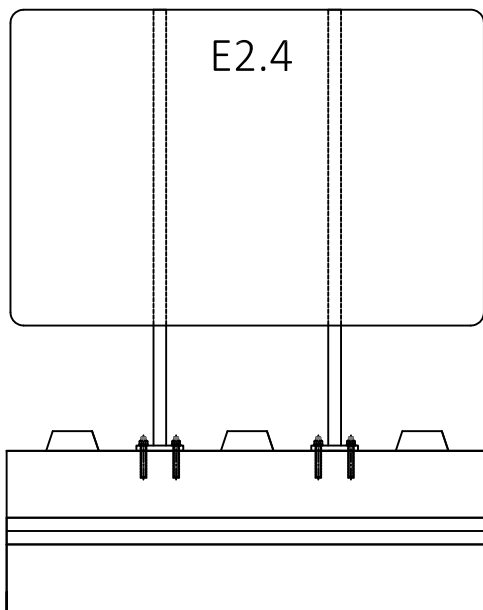


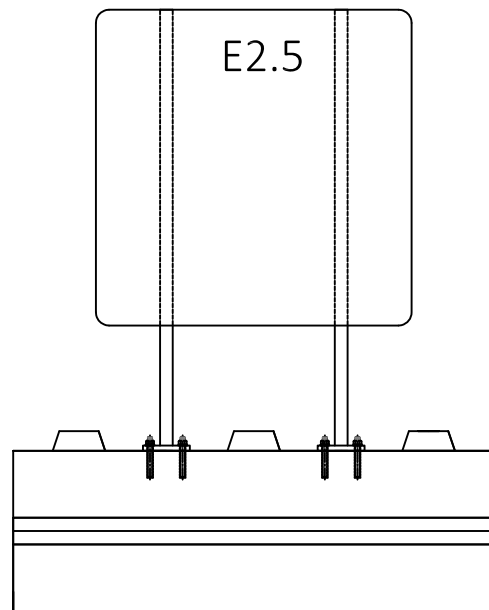
*ALL POLES AND MOUNTING
HARDWARE TO BE SUPPLIED AND
INSTALLED BY CONTRACTOR USING
THIS LAYOUT



JOHNSON BLOCK (CONCRETE)



A
1800 x 1200 mm



B
1200 x 1200 mm

4R WINNIPEG DEPOT - PANET ROAD SIGNAGE
SIGNAGE TO BE INSTALLED ON JOHNSON BLOCK